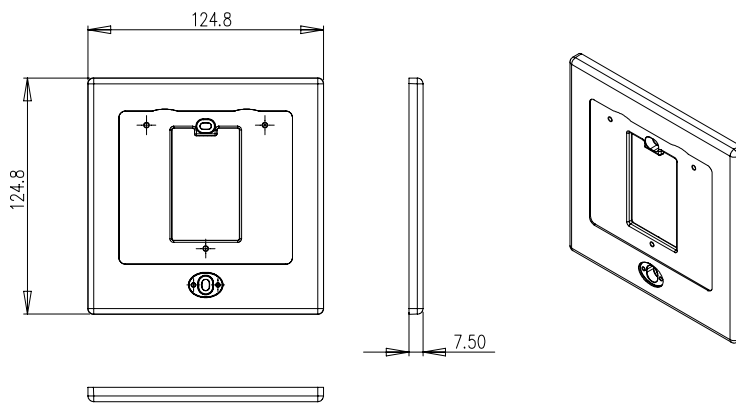




WP4 Wall Plate

WP4 Wall Plate for ETN thermostat

- Dimensions – 124.8 x 124.8 x 7.5 mm
- Weight – 39 g.



WP1 Wall Plate

WP1 Wall Plate for TED thermostat

- Dimensions – 80 x 130 x 7 mm
- Weight – 24 g.





WP2 Wall Plate

WP2 Wall Plate for ERT thermostat

- Dimensions – 102 x 157 x 10 mm
- Weight – 44 g.



MIM3 – Back Plate for various PCB cards

Back Plate for the following PCB cards

- Communication controllers for BMS from the families PS2500, PS4500, PS1800
- MIGA 1 controllers
- Power Supply devices, such as PS24, PS101, PS102, PS104, PS500, PS600
- EC-300

- Dimensions: 170 x 93 x 60mm
- Weight : 123 g.

